

HF 360-2

BT IPD - concealed
 EAN 4007841 064419
 Article number 064419



high frequency sensor
360°



max. Ø 12 m



IP20



ideal 1 - 2,5 m



2 - 2000 lux



energy saving



CE

5 years

manufacturer's
warranty steinel-
professional.de/
garantie



CE

Function description

Smart surveillance professional. The HF 360-2 from the new Control PRO 2 range. Modern look and intelligent 360° HF sensor technology – ideal for stairwells and toilet facilities with cubicles. Conveniently adjusted and interconnected via Bluetooth. Interfaces: COM1, COM2, DALI-2 APC, DALI-2 IPD, KNX, IP and BT IPD (Slave). Mounting height up to 4 m. Reach: 12 m.

Technical specifications

Dimensions (L x W x H)	61 x 103 x 103 mm	Mounting height max.	4,00 m
With motion detector	Yes	Optimum mounting height	2,8 m
Manufacturer's Warranty	5 years	HF-system	5,8 GHz
Settings via	Bluetooth	Detection	also through glass, wood and stud walls
With remote control	No	Detection angle	360 °
Version	BT IPD - concealed	Angle of aperture	140 °
PU1, EAN	4007841064419	Sneak-by guard	Yes
Type	Presence detector	Capability of masking out individual segments	No
Application, place	Indoors	Electronic scalability	Yes
Application, room	function room / ancillary room, kitchenette, stairwell, WC / washroom, Indoors	Mechanical scalability	No
Colour	white	Reach, radial	Ø 12 m (113 m ²)
Colour, RAL	9003	Reach, tangential	Ø 12 m (113 m ²)
Includes corner wall mount	No	Transmitter power	< 1 mW
Installation site	ceiling	Basic light level function	No
Installation	Concealed wiring, Ceiling	Main light adjustable	No

HF 360-2

BT IPD - concealed
EAN 4007841 064419
Article number 064419



Technical specifications

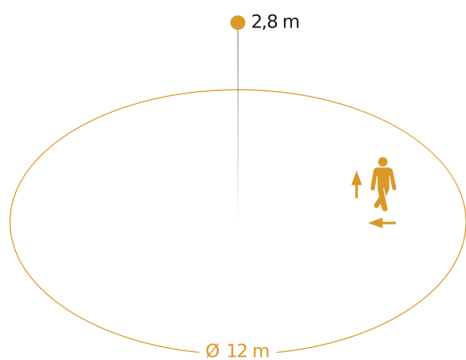
IP-rating	IP20
Ambient temperature	from -25 up to 50 °C
Material	Plastic
Mains power supply	220 – 240 V / 50 – 60 Hz
Power consumption	0,5 W
Technology, sensors	High frequency, Light sensor
Mounting height	2,50 – 4,00 m

Twilight setting TEACH	No
Constant-lighting control	No
Interconnection	Yes
Type of interconnection	Master/slave
Interconnection via	Bluetooth
Product category	Presence detector

HF 360-2

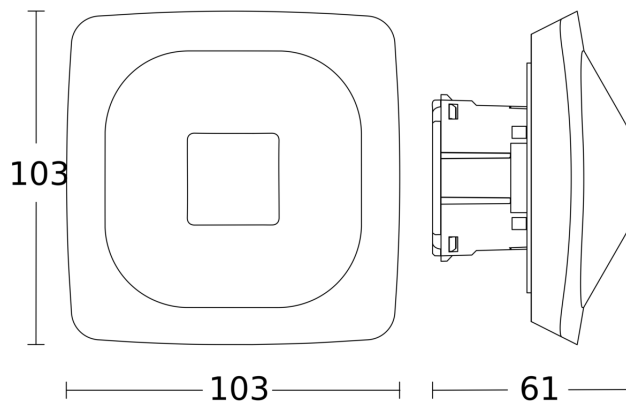
BT IPD - concealed
EAN 4007841 064419
Article number 064419

Detection Zone



Possible mounting height: 2,50 m - 4,00 m
Orange: radial and tangential

Dimension Drawing



Circuit diagram

